



ENGLISH | DATED 02.2009

Compact sweeper SL140

Manoeuvrable, high-suction, compact.
Innovative strength.

BROCK[®]
Kehrtechnik GmbH

Dynamic and strong. The BROCK SL140.

The BROCK SL140 makes light work of negotiating a maze of city streets. When space becomes more limited, it can access even the narrowest of inner-city streets thanks to its high manoeuvrability and panoramic visibility.

Similarly to all Brock sweepers, the SL140 is particularly impressive because of its high suction capability and economical efficiency. Excellent driving comfort, user friendliness and a simple design are also trademark features of our sweepers. The SL140 is assembled on a standard Mitsubishi chassis and achieves a speed of up to 90 km/h. It is comparably more cost-effective to maintain. All of these features make our SL140 a unique compact sweeper.

1 With a tilting angle of 60° and an easily serviceable hopper rotation unit, the SL140 makes emptying child's play.

2 Its unique design and compactness are what mark the SL140 out from the rest.



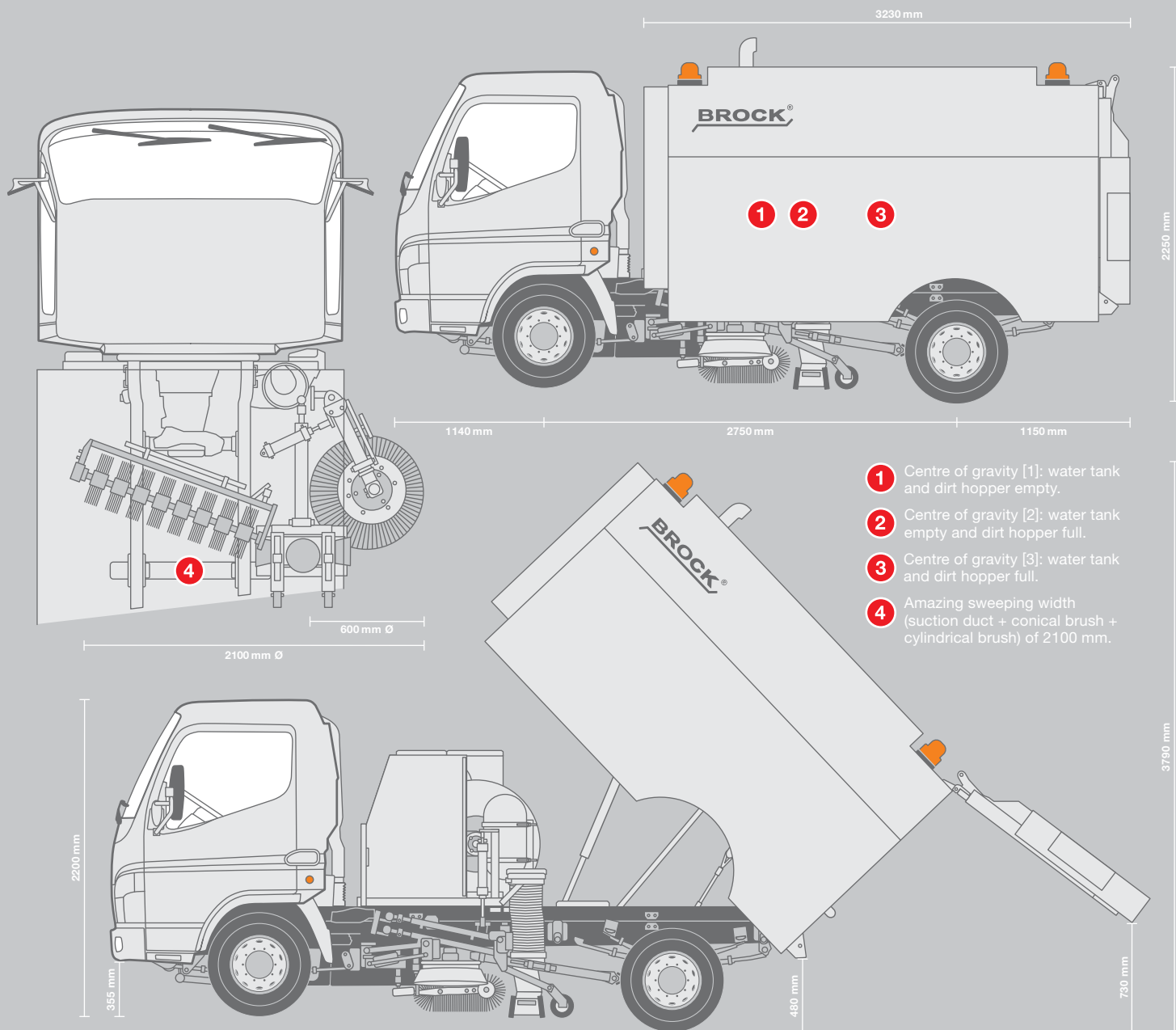
1

TECHNICAL DATA

CHASSIS	Mitsubishi Canter 7C15 or 7C18 Wheelbase 2750 mm 7.5 t	
ENGINE RATING	145 hp - 107 kW 7C15 180 hp - 132 kW 7C18	
CERTIFICATION	PM 10 in accordance with EUnited Standard	
WIDTH HEIGHT	1995 mm 2240 mm	
SPEED	0 to 90 km/h	
KERB WEIGHT	7C15 approx. 4400 kg 7C18 approx. 4700 kg	
DIRT HOPPER	4 m ³ stainless steel (1.4301) fibreglass-reinforced plastic panelling 60° tilting angle	
SWEEPING WIDTH	Suction duct	600 mm
	+ conical brush	1100 mm
	+ cylindrical brush	2100 mm
WATER TANK	750 litres stainless steel (1.4301)	
AUXILIARY ENGINE	COM 2 speed 2300 – 3000 rpm	
CONICAL BRUSH	700 mm Ø	
CYLINDRICAL BRUSH	300 mm Ø with Perlon bristles	
LIFTING & APPLICATION	EURO pneumatic cylinder	



2



COMPANY PROFILES

BROCK Kehrtechnik GmbH

BROCK Kehrtechnik GmbH stands for innovation, competency and quality in the design and manufacture of high-end sweepers. The specialised expertise of our committed employees and our many years of experience in development and servicing form the basis of our customer-oriented quality policy. This includes competent advice and a reliable service, as well, of course, as quick maintenance and repairs on site. Our mobile customer service and our service partners are always on hand, and the doors of our Witten plant are always open.

We focus on the customer as early on as the design phase. The BROCK sweeper concept was, for this reason, intentionally developed as a modular system. Depending on the chassis model, we can supply hopper sizes from 3 to 12 m³ with sweepgear on the right-hand side, left-hand side or both sides. We also fulfil any additional special requirements straightaway without any complications. At our company, the customer always sets the benchmarks, so we regularly enquire about and review customers' satisfaction with our company.

OUR PRODUCT RANGE

- Sweepers in sizes 3 to 12 m³
- Compact sweepers
- Large sweepers
- Airport equipment

OUR COMPANY PRINCIPLES

- Our success depends on the satisfaction of our customers.
- We are always searching for optimum solutions to individual problems.
- We make it our priority to be a consistently reliable partner for our customers and be worthy of the trust placed in us.
- We aim to meet all prerequisites to ensure that we fulfil our customers' expectations and stay one step ahead of their requirements.

We live up to this claim set out in our company principles by pursuing our quality policy consistently at all organisational levels.

OUR QUALITY POLICY

- Ongoing qualified analysis of customer requirements.
- Competent advice and identification of optimum solutions for specific customer applications.
- Development and manufacture of reliable and serviceable products.
- Ongoing review of the research status in order to fulfil all customer requirements in future too.
- Guaranteed quick, smooth order processing and prompt delivery to schedule.
- Timely provision of comprehensible documentation.
- Continuous optimisation of company processes and an ongoing review of the effectiveness of our QM system.

Manoeuvrable, high-suction, compact. Strength and pure dynamics.

The SL140 shows what it is made of.

With the newly developed 4 m³ dirt hopper made of stainless steel (1.4301), just like the 750 l water tank, and with robust fibreglass-reinforced plastic panelling on the sides and rear flap, the SL140 is once again an example of high-performance engineering in a modern design. With a clearly structured assembly, ergonomically designed controls support drivers in their daily work. All of this, combined with optimum low-noise, environmentally-sound functions, is what distinguishes the sweeper as a BROCK product.



3 The SL140 manoeuvres smoothly even in tight situations.

4 5 Emptying and cleaning is easy thanks to the large hopper flap with an integrated seal and smooth contours. The hinged flap can be easily adjusted off-centre.

6 All functions can be controlled easily using the control console.

7 The suction duct is 600 mm wide and fitted with a pneumatically actuated coarse debris pick-up flap (for high dumping). The conical brush has a diameter of 700 mm. The sweepgear stops automatically in its lifted position. The sweepgear is also lifted automatically when reverse gear is engaged.

POSSIBLE EXTRAS AND SPECIAL EQUIPMENT

If requested, we can deliver the SL140 with additional sweepgear on the left-hand side, a swivel-mounted cylindrical brush, a camera system, a foliage suction system, and much more.





WORLDWIDE: Angola | Armenia | Azerbaijan | Bangladesh | Belarus | Belgium-Flanders | Belgium-Wallonia | Burma | Egypt | French Guyana | India | Indonesia | Iran | Iraq | Israel | Jordan | Kazakhstan | Kenya | Kyrgyzstan | La Reunion | Lebanon | Libya | Martinique | Mauritania | Mexico | Nepal | Pakistan | Russian Federation | Sudan | Tajikistan | Tanzania | Tunisia | Turkmenistan | Uzbekistan

EUROPE: Austria | Baltic States | Belgium-Flanders | Belgium-Wallonia | Bosnia & Herzegovina | Croatia | Denmark | Finland | France | Georgia | Great Britain | Greece | Hungary | Italy | Moldova | Montenegro | Netherlands | Norway | Poland | Portugal | Romania | Serbia & Macedonia | Spain | Sweden | Switzerland | Turkey | Ukraine

YOUR RESPONSIBLE REGIONAL REPRESENTATIVE

BROCK Kehrtechnik GmbH

Salinger Feld 10 a
58454 Witten | Germany

Tel.: 0049 (0) 2302 589 69-0
Fax: 0049 (0) 2302 589 69-150

www.brock-kehrtechnik.de
info@brock-kehrtechnik.de



NISZERT
ZERTIFIZIERUNGS- UND
UMWELTGÜTACHTER GMBH

BROCK KEHRTECHNIK GMBH
IS CERTIFIED TO DIN EN ISO STANDARD.
DIN EN ISO 9001:2000